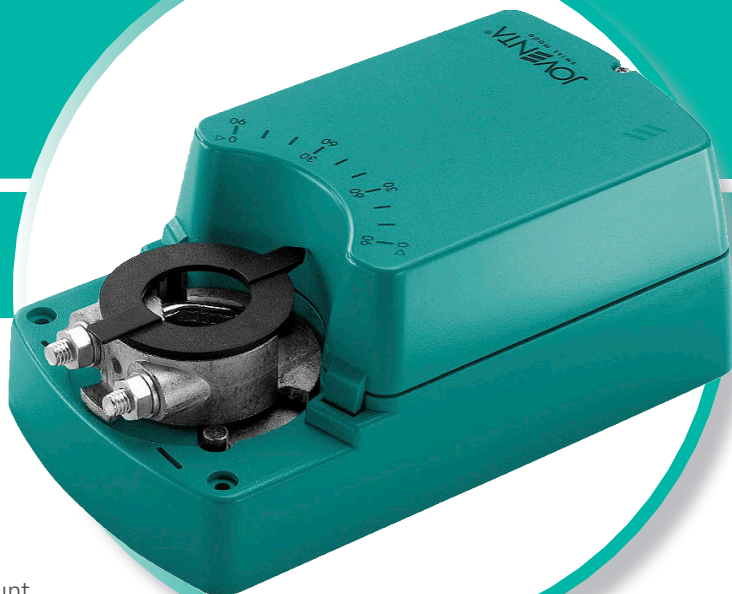


# NON-SPRING RETURN DAMPER ACTUATORS

## ACTUATORS

### STANDARD SERIES



8, 16, 24 AND 32 Nm, ON/OFF, FLOATING AND PROPORTIONAL CONTROL

The Joventa Standard Series Electric Actuators are direct-mount actuators. These bidirectional actuators do not require a damper linkage, and are easily installed on round shafts or square shafts using the standard shaft clamp included with the actuator.

A single Electric Non Spring Return Actuator provides 8, 16, 24 or 32 Nm torque depending on the model.

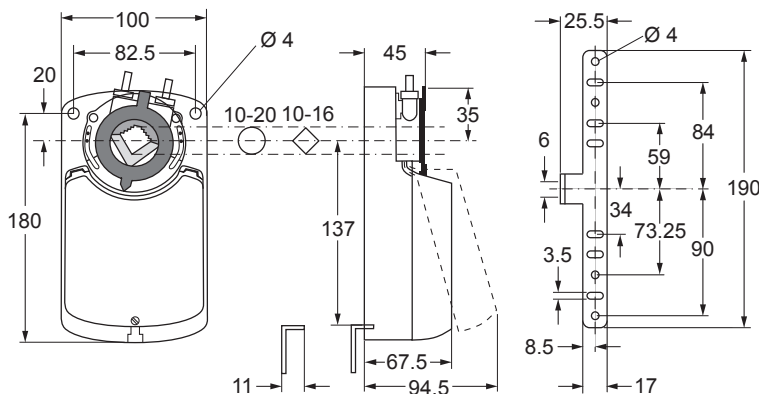
Two integral line voltage auxiliary switches indicate end stop position or performs switching functions within the selected rotation range.

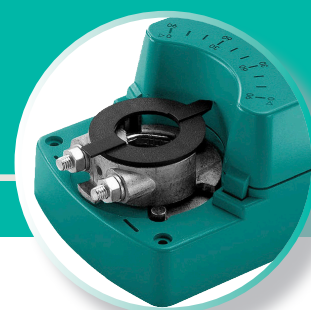
They provide 90° of rotation. A graduated scale from 0° to 90° and a position indicator provide visual indication of stroke.

### FEATURES

- Direct-coupled design
- Selectable direction of rotation
- Electronic stall detection
- Double-insulated construction
- Load independent
- Optional integrated auxiliary switches
- Manufactured under International Standards Organization (ISO) 9001 Quality Control Standards

### DIMENSIONS (in mm)

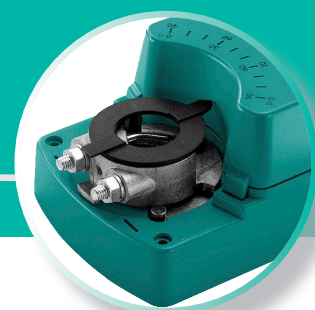




## STANDARD SERIES

### ORDERING INFORMATION

CODES	RUNNING TIME (s/mm)	CONTROL SIGNALS	2 AUXILIARY CONTACTS	FEEDBACK POTENTIOMETER	SUPPLY VOLTAGE (50/60 Hz)	
<b>8 Nm</b>						
DAS1	30	ON/OFF and Floating	---	---	24 VAC/DC	
DAS1.S			■	---		
DAS1.P1			---	1 kOhm		
DAS1.P2			---	140 Ohm		
DAS1.P4			---	2 kOhm		
DAS2			---	---		100 ... 230 VAC
DAS2.S			■	---		
DAS2.P1			---	1 kOhm		
DAS2.P2			---	140 Ohm		
DAS2.P4			---	2 kOhm		
DMS1.1			Proportional	---	---	
DMS1.1S			0(2)...10 VDC / 0(4)...20 mA	■	---	
DMS2.2			Proportional 0(2)...10 VDC	---	---	230 VAC
DMS2.2S			■	---		
DMS2.5			Proportional 0(4)...20 mA	---	---	
DMS2.5S				■	---	
<b>16 Nm</b>						
DA1	80	ON/OFF and Floating	---	---	24 VAC/DC	
DA1.S			■	---		
DA1.P1			---	1 kOhm		
DA1.P2			---	140 Ohm		
DA1.P4			---	2 kOhm		
DA2			---	---		100 ... 230 VAC
DA2.S			■	---		
DA2.P1			---	1 kOhm		
DA2.P2			---	140 Ohm		
DA2.P4			---	2 kOhm		
DM1.1			Proportional	---	---	
DM1.1S			0(2)...10 VDC / 0(4)...20 mA	■	---	
DM2.2			Proportional 0(2)...10 VDC	---	---	230 VAC
DM2.2S			■	---		
DM2.5			Proportional 0(4)...20 mA	---	---	
DM2.5S				■	---	



## STANDARD SERIES

### ORDERING INFORMATION

CODES	RUNNING TIME (s/mm)	CONTROL SIGNALS	2 AUXILIARY CONTACTS	FEEDBACK POTENTIOMETER	SUPPLY VOLTAGE (50/60 Hz)	
24 Nm						
DAL1	125	ON/OFF and Floating	---	---	24 VAC/DC	
DAL1.S			■	---		
DAL1.P1			---	1 kOhm		
DAL1.P2			---	140 Ohm		
DAL1.P4			---	2 kOhm		
DAL2			---	---		100 ... 230 VAC
DAL2.S		■	---			
DAL2.P1		---	1 kOhm			
DAL2.P2		---	140 Ohm			
DAL2.P4		---	2 kOhm			
DML1.1		Proportional 0(2)...10 VDC 0(4)...20 mA	---	---	24 VAC/DC	
DML1.1S			■	---		
DML2.2			Proportional 0(2)...10 VDC	---	---	230 VAC
DML2.2S				■	---	
DML2.5	---			---		
DML2.5S	■			---		
32 Nm						
DAG1	140	ON/OFF and Floating	---	---	24 VAC/DC	
DAG1.S			■	---		
DAG1.P1			---	1 kOhm		
DAG1.P2			---	140 Ohm		
DAG1.P4			---	2 kOhm		
DAG2			---	---		100 ... 230 VAC
DAG2.S		■	---			
DAG2.P1		---	1 kOhm			
DAG2.P2		---	140 Ohm			
DAG2.P4		---	2 kOhm			
DMG2.2		Proportional 0(2)...10 VDC	---	---	230 VAC	
DMG2.2S			■	---		
DMG1.1		200	Proportional 0(2)...10 VDC 0(4)...20 mA	---	---	24 VAC/DC
DMG1.1S				■	---	