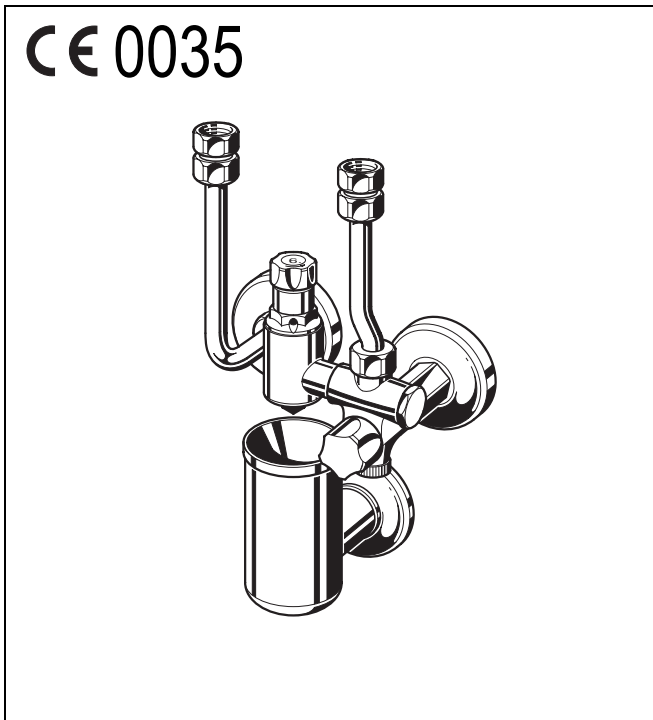


## SG162

### SECURA-Safety group for pressurised hot water storage units up to 200 litres

#### Product specification sheet



#### Construction

The safety group comprises:

- Housing
- Shutoff valve
- Check valve with test plug
- Approved safety valve
- Tundish and trim plate
- Chrome-plated connection pipes

#### Materials

- Chrome-plated hot-pressed brass housing
- High-quality synthetic material check valves
- High quality synthetic material test plug
- Chrome-plated hot-pressed brass safety valve housing
- High quality white synthetic material tundish and trim plate
- Chrome-plated brass connection pipework

#### Application

Safety groups of this type are controls to DIN 4753 Part 1 and DIN 1988 for the protection of pressurised hot water storage units with capacities up to 200 litres.

They are composite assemblies which integrate in one unit all necessary safety components, including check valve, shutoff valve, test point and diaphragm-type safety valve.

The safety valve protects the downstream cylinder, pressure vessel etc. by automatically opening when excess pressure occurs. The check valve prevents back pressure, backflow and back syphonage of water from the hot water unit.

#### Special Features

- Check valve is DVGW approved
- Safety valve is TÜV approved
- Easy venting
- Can be fitted on the left or right
- Housing and connection pipes are chrome plated
- Pressure reducing valve can be retro fitted
- Meets KTW recommendations for potable water
- Certified to Pressure Equipment Directive 97/23/EC, Reference No. CE 0035

#### Range of Application

For closed hot water storage units up to 200 litres according to DIN 4753 Part 1 and DIN 1988. Tested to TRD 721 for 1.0 to 10.0 bar pressure range.

Medium Water

Operating pressure Maximum at least below 20 % opening pressure of safety

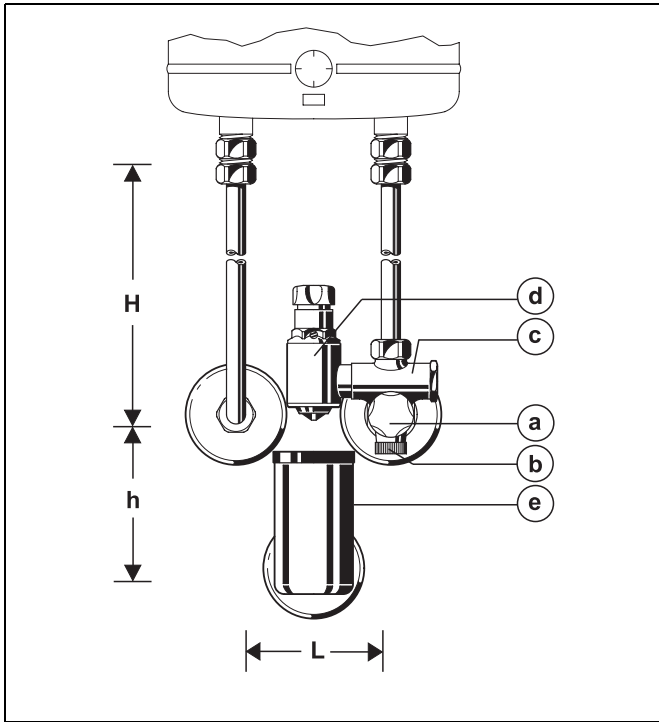
#### Technical Data

Opening pressure Set by manufacturer at 6.0, 8.0 or 10.0 bar  
Subsequent alteration of the setting is not permitted and is impossible without destroying the security cap

Operating temperature Max. 70 °C

Connection size 1/2"

Clearance from wall 70 mm and 100 mm



**Method of Operation**

Safety groups of this type integrate a check valve, shutoff valve, test point and diaphragm safety valve in one appliance. Water first flows through the check valve. The flow pushes a disc open against the force of a spring.

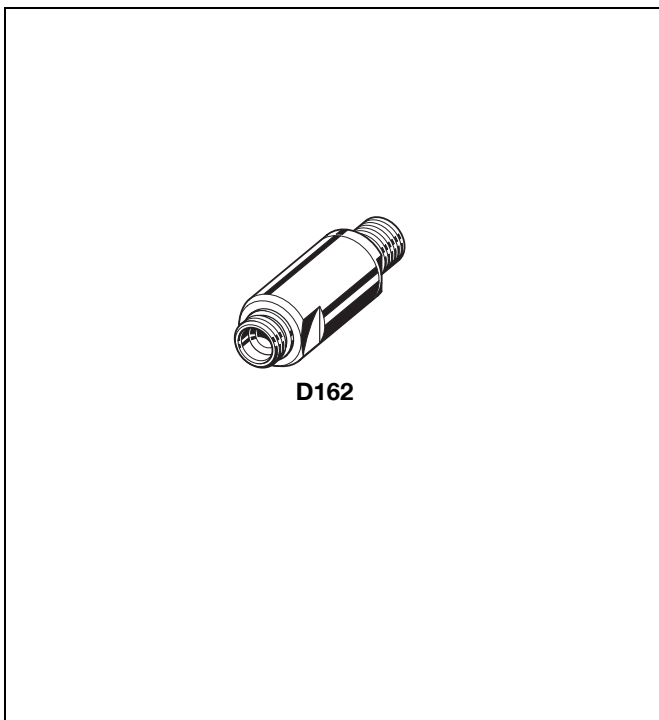
The downstream safety valve is a direct operating safety valve. That is, the opening force operates against the force of a spring.

**Options**

SG162-1/2A = Safety valve opening pressure 6.0 bar

SG162-1/2C = Safety valve opening pressure 10.0 bar

Connection size	R	1/2"	a) Shutoff valve
Nominal size diameter	DN	15	b) Test plug for check valve
Dimensions (mm)	L	100	c) Check valve
	H	120	d) Diaphragm-type safety valve with venting device (replaceable)
	h	100	e) Tundish (no special vapour trap required)

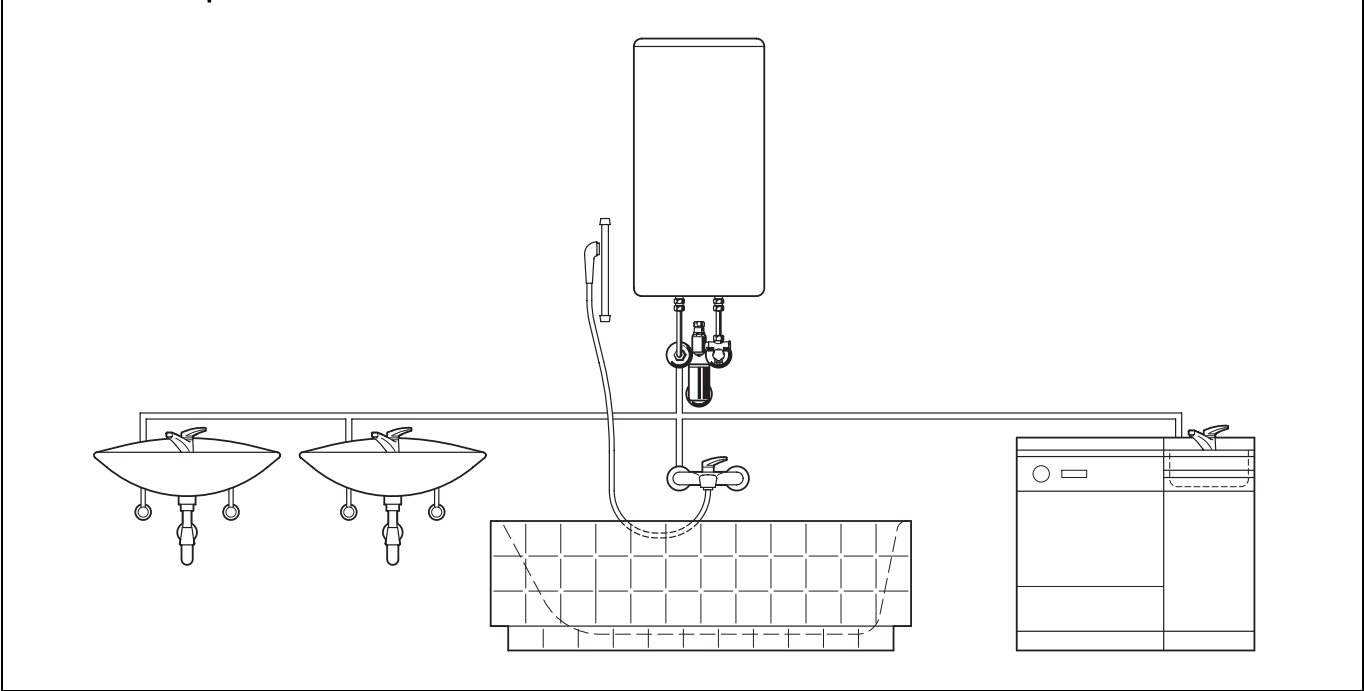


**Accessories**

**D162 Pressure reducing valve**

For retrofitting to the SG162. Non adjustable, fixed set pressure 4.0 bar

**Installation Example**



**Installation Guidelines**

- Safety group must be fitted in the cold water supply to the hot water storage unit
- The installation must be carried out so that:
  - o There are no shutoff valves or fittings, narrowing of the pipework or strainers between the water heater and the safety valve
  - o Good access is provided for service and maintenance
- For safety reasons, during heat up water may emit from the discharge pipework  
Do not close!
- It is important that no attempt be made seal off the pipework to stop this discharge!

**Typical Applications**

Safety groups of this type are installed within the scope of their specification on the inlet to hot water storage units of up to 200 litres nominal capacity

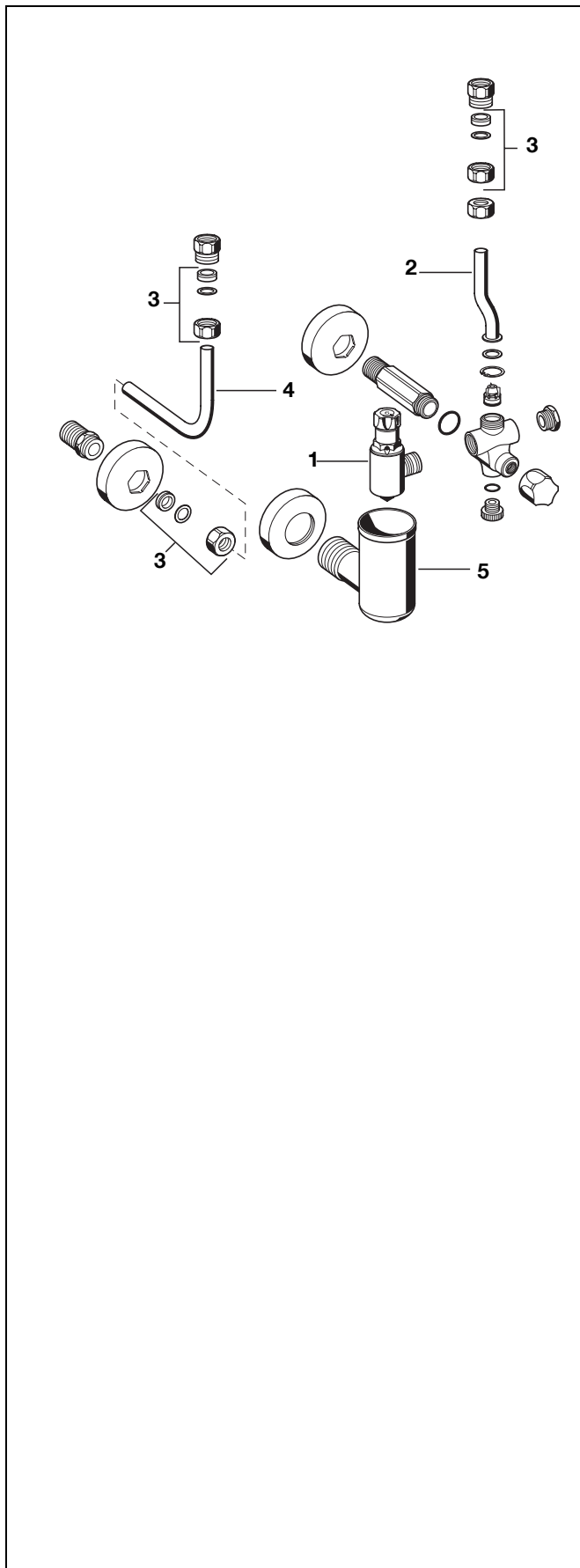
The following are some typical applications:

- Closed hot water storage units
- Reverse calorifiers

**Maintenance**

In accordance with DIN 1988, Part 8, the following operations should be carried out regularly. A planned maintenance scheme is recommended.

	Operation	Interval	Carried out by
Inspection	Check valve: Check operation by opening the test point and closing the lower shutoff valve.	Annually	User
	Safety valve: Check operation as follows: With the system operating, open the venting device. The resulting water flow must fully drain away. When the vent is released, the valve must fully close.	Every six months	User or specialist
Maintenance	Safety valve: If a malfunction occurs, this may be cured by repeated manual opening and closing of the valve. If this method does not succeed, then an overhaul of the valve will be necessary.	Annually	Specialist



**Spare Parts**

**Safety Group SG162, from 1998 onwards**

No.	Description	Dimension	Part No.
1	Safety valve exchange Approval No. - TÜV · SV · ..* - 771 - 1/2" · W · p 6 bar 10 bar	1/2" 1/2"	A162-BA A162-BC
..* valid Approval No.			
2	Flanged offset angled tube	1/2"	2596600
3	Connection set complete	1/2"	0900625
4	Angle tube O	1/2"	2597200
5	Tundish	1/2"	0901768

**Automation and Control Solutions**

Honeywell GmbH  
 Hardhofweg  
 D-74821 Mosbach  
 Phone: (49) 6261 810  
 Fax: (49) 6261 81309  
<http://europe.hbc.honeywell.com>  
[www.honeywell.com](http://www.honeywell.com)

Manufactured for and on behalf of the  
 Environmental and Combustion Controls Division  
 of Honeywell Technologies Sàrl, Ecublens, Route  
 du Bois 37, Switzerland by its Authorised Repre-  
 sentative Honeywell GmbH

EN0H-1304GE23 R0807  
 Subject to change without notice  
 © 2007 Honeywell GmbH

**Honeywell**