

T8000 Series

# T8600 MODBUS Touch Screen Thermostat



# T8600 MODBUS Series Touch Screen Thermostat

## Application

T8600···JS0/R0 Touch screen thermostats are designed to control heating, cooling, or air conditioning unit in Commercial, Industrial and Residential Installation. Typical applications include the control of fan coil units, packaged terminal air conditioners and combination of heating and cooling equipment. As part of the system, T8000 controls a two-way or three-way valve and a multi-speed line voltage fan.

T8600 features with microcomputer control, large LCD screen display, and displays the status of work mode (cooling/heating/air ventilation), fan speed, indoor temperature and set temperature etc.. Capacitive touch screen enhances the fluency on operation. Keypad includes: Power on/off (⏻), Mode selection (M), Fan Speed selection (⚙️), Clock/Timer (🕒) and two Adjustment buttons (⬆️&⬆️).



T8600···JS0/R0 Thermostat

## Features and Benefits

Touch screen	<ul style="list-style-type: none"> <li>• Capacitive touch screen enhances the fluency on operation</li> </ul>
Backlit Liquid Crystal Display (LCD)	<ul style="list-style-type: none"> <li>• Offer Easy-to-Read Real-time control status of the environment, graphical messages with constant backlight that brightens during user interaction</li> </ul>
6 Function Keys	<ul style="list-style-type: none"> <li>• All-in-One location function keys, simplified user to change the setpoint and parameter</li> </ul>
	<ul style="list-style-type: none"> <li>• Molded Industrial Standard Graphical Symbol</li> </ul>
Appearance	<ul style="list-style-type: none"> <li>• Attractively-Style Twin-Ring Streamline ABS Plastic Cover and Base</li> </ul>
	<ul style="list-style-type: none"> <li>• All-in-One Enclosure Design without Protrusion of Power Circuit</li> </ul>
Energy Saving	<ul style="list-style-type: none"> <li>• Features with Unoccupied Function</li> </ul>
	<ul style="list-style-type: none"> <li>• Requires no batteries; EEPROM retains the last events and parameter settings after a loss of power</li> </ul>
Installation, Service and Maintenance	<ul style="list-style-type: none"> <li>• Universal Mounting with Standard Wall Box</li> </ul>
	<ul style="list-style-type: none"> <li>• Quick Replacement to reduce to Downtime of Service Maintenance</li> </ul>

# Function

Item	Description	T8600-TB20-9JR0-M0	T8600-TB20-9JS0-M0	T8600-TF20-9JR0-M0	T8600-TF20-9JS0-M0
Application	2-pipe heating or cooling	■	■		
	4-pipe heating and cooling			■	■
	MODBUS Communication	■	■	■	■
User Interface	Touch Screen	■	■	■	■
	Backlight (White)	■	■	■	■
	EN/Icon	■	■	■	■
	° C/° F Changeable	■	■	■	■
Energy Saving	Ventilation Mode	■	■	■	■
	Setpoint Limit	■	■	■	■
	Occupied contact with NO/NC options		■		■
	Unoccupied setpoints		■		■
	Low fan in unoccupancy		■		■
	Auto Changeover			■	■
Other Functions	Timer on/off	■	■	■	■
	Display setpoint only	■	■	■	■
	Anti-freezing	■	■	■	■
	Key Lock	■	■	■	■
	Display temperature calibration	■	■	■	■
	Remote temperature sensor	■		■	
	Restart after power failure	■	■	■	■
	Timer Function	■	■	■	■
Certificate	CE	■	■	■	■

# Model Selection Guide

				T	8	6	0	0	-	T	B	2	0	-	9	J	S	0	-	M	0			
<b>Touch Screen</b>	8	=	Touch Screen				8																	
<b>Version</b>	6	=	Version				6																	
<b>System</b>	0	=	ON/OFF				0																	
<b>Fan Control</b>	0	=	Auto-Hi-Me-Lo				0																	
<b>Temperature Scale</b>	T	=	°C or °F optional				T																	
<b>Application</b>	B	=	2-pipe heating or cooling							B														
	F	=	4-pipe heating and cooling																					
<b>Reserve</b>	2	=	Reserve							2														
<b>Control</b>	0	=	ON/OFF										0											
	1	=	Modulating 0-10V																					
<b>Color</b>	9	=	White										9											
<b>Logo</b>	J	=	JCI													J								
<b>Function</b>	S	=	With unoccupied function																S					
	R	=	With remote sensor																					
<b>Reserve</b>	0	=	Reserve																0					
<b>Communication</b>	M	=	MODBUS RTU																			M		
<b>Reserve</b>	0	=	Reserve																					0

# Product Overview

T8600 touch screen thermostat with 4-basic models cover all types of FCU standalone applications. There are models for 2-pipe cooling or heating, 4-pipe cooling and heating, for 2-wire valve control. On-board high accuracy NTC sensor allows precision comfort control over occupied space area.

The T8600 thermostats come with 12-hours timer that allows user to schedule On-Time or Off-Time for the fan coil depending on user needs.

88 x 88mm size allows for 75 x 75 x 35mm standard wall box installation.

## Model T8600-TB20-9JS0-M0

The Model T8600-TB20-9JS0 is with AC220V, LCD display (with Backlit) fan coil unit thermostat that design for cooling or heating fan coil unit with 2-wire valve actuator application. Integrated with System On/Off button allows user to shutdown the T8000 and cutoff the output power for fan (cutoff the Output power for Valve Actuator). Simply pressing the fan speed button, allows user selection of Auto-High-Med-Low fan speed. All fan output by relay that can withstand max. of 5Amp (Res). operating current.

Additional Dry-contact for Occupancy mode that allows better comfort control and to achieve energy cost saving.

## Model T8600-TB20-9JR0-M0

The Model T8600-TB20-9JR0 is with AC220V, LCD display (with Backlit) fan coil unit thermostat that design for cooling or heating fan coil unit with 2-wire valve actuator application. Integrated with System On/Off button allows user to shutdown the T8000 and cutoff the output power for fan (cutoff the Output power for Valve Actuator). Simply pressing the fan speed button, allows user selection of Auto-High-Med-Low fan speed. All fan output by relay that can withstand max. of 5Amp (Res). operating current.

With remote temperature sensor. While remote sensor is connected, the built-in sensor will be disable automatically.

## Model T8600-TF20-9JS0-M0

The Model T8600-TF20-9JS0 is with AC220V, LCD display (with Backlit) fan coil unit thermostat that design for cooling or heating fan coil unit with 4-wire valve actuator application. Integrated

with System On/Off button allows user to shutdown the T8000 and cutoff the output power for fan (cutoff the Output power for Valve Actuator). Simply pressing the fan speed button, allows user selection of Auto-High-Med-Low fan speed. All fan output by relay that can withstand max. of 5Amp (Res). operating current.

Additional Dry-contact for Occupancy mode that allows better comfort control and to achieve energy cost saving.

## Model T8600-TF20-9JR0-M0

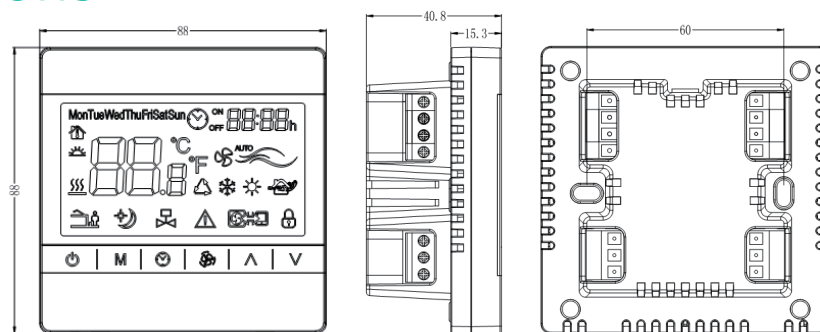
The Model T8600-TF20-9JR0 is with AC220V, LCD display (with Backlit) fan coil unit thermostat that design for cooling or heating fan coil unit with 4-wire valve actuator application. Integrated with System On/Off button allows user to shutdown the T8000 and cutoff the output power for fan (cutoff the Output power for Valve Actuator). Simply pressing the fan speed button, allows user selection of Auto-High-Med-Low fan speed. All fan output by relay that can withstand max. of 5Amp (Res). operating current.

With remote temperature sensor. While remote sensor is connected, the built-in sensor will be disable automatically.

### IMPORTANT:

Use this T8600 Series Line Voltage Thermostat only as an operating control. Where failure of malfunction of the T8600 Series Thermostat could lead to personal injury or property damage to the controlled equipment or other property, additional precautions must be designed into the system. Incorporate and maintain other devices such as supervisory or alarm systems or safety or limit controls intended to warn of, or protect against, failure or malfunction of the T8000 Series Thermostat.

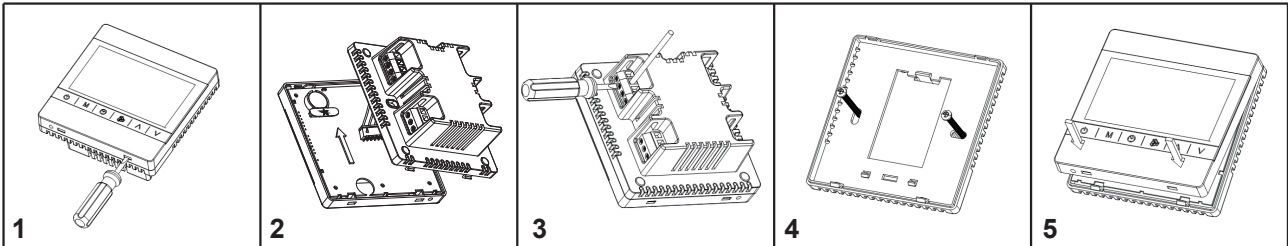
# Dimensions



T8600-TB20-9JS0/9JR0-M0、T8600-TF20-9JS0/9JR0-M0 (mm)

# Installation

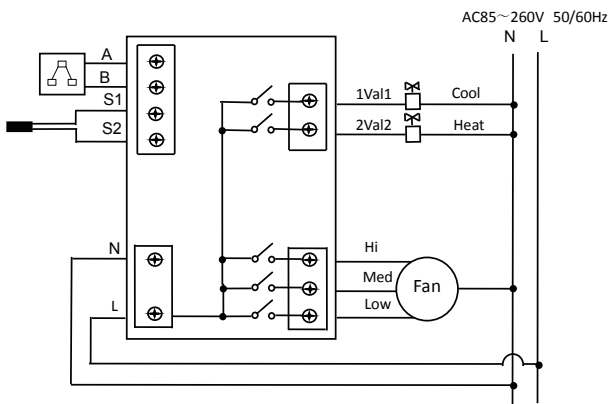
T8600 thermostats allow for 75 x 75 x 35mm standard wall box installation.



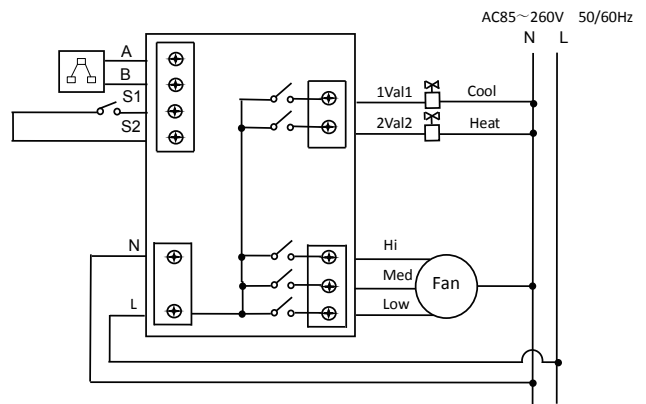
\* Remove the insulating strip before installation

# Wiring Diagram

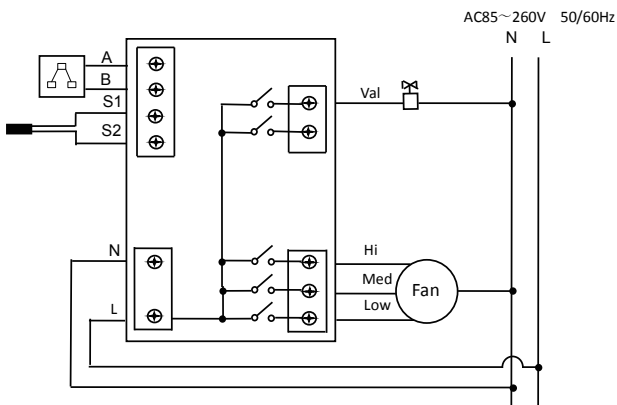
T8600-TF20-9JR0-M0



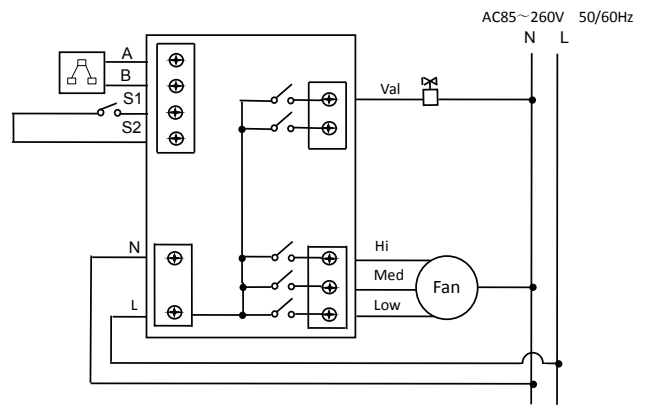
T8600-TF20-9JS0-M0



T8600-TB20-9JR0-M0



T8600-TB20-9JS0-M0



# Ordering Information

To order the replacement T8600 Series thermostat, contact the nearest Johnson Controls® representative. Specify the desired product code number according to Table of "Function" and "Model Selection Guide".

"IMPORTANT: The power supply to the thermostat must include overload protection. Failure to include overload protection may result in damage to the thermostat.

<b>Product</b>	T8600 Touch screen thermostat	
	T8600-TB20-9JR0-M0	Backlit LCD 2-pipe Cooling / Heating FCU Thermostat with remote sensor, MODBUS
	T8600-TB20-9JS0-M0	Backlit LCD 2-pipe Cooling / Heating FCU Thermostat and Occupancy Contact, MODBUS
	T8600-TF20-9JR0-M0	Backlit LCD 4-pipe Cooling and Heating FCU Thermostat with remote sensor, MODBUS
	T8600-TF20-9JS0-M0	Backlit LCD 4-pipe Cooling and Heating FCU Thermostat and Occupancy Contact, MODBUS
<b>Power Requirements</b>	AC85-260V 50/60HZ	
<b>Accuracy</b>	±1° C	
<b>Display Range</b>	0-55° C	
<b>Setpoint Range</b>	5-35° C	
<b>Unoccupied Mode</b>	T8600...9JS0 External Voltage-Free Contact Input Signal	
<b>Remote sensor</b>	T8600...9JR0 with remote temperature sensor NTC 10K, 1.5 m, Max.20m (0.7 -1.0mm <sup>2</sup> )	
<b>Termination</b>	Screw terminals	
<b>Valve Control</b>	T8600-TB20-9JR0-M0 (2-pipe Cooling / Heating)	1 x Single-Pole, Single Throw (SPST), 5A(Maximum), Relay Output
	T8600-TB20-9JS0-M0 (2-pipe Cooling / Heating)	1 x Single-Pole, Single Throw (SPST), 5A(Maximum), Relay Output
	T8600-TF20-9JR0-M0 (4-pipe Cooling and Heating)	2 x Single-Pole, Single Throw (SPST), 5A(Maximum), Relay Output
	T8600-TF20-9JS0-M0 (4-pipe Cooling and Heating)	2 x Single-Pole, Single Throw (SPST), 5A(Maximum), Relay Output
<b>Fan Control</b>	3 x Single-Pole, Single Throw (SPST) , 5A (Res.) at 250 VAC (Maximum); Relay Output for High-Med-Low Fan	
<b>Ambient Operating Conditions</b>	0 to 45° C 90% Non-condensing RH	
<b>Ambient Storage Conditions</b>	-10 to 60 ° C 90% Non-condensing RH	
<b>Housing Material</b>	PC: UL 94-V0	
<b>Protection Class</b>	IP20	
<b>Certification</b>	CE	
<b>Dimensions</b>	88 x 88 mm	
<b>Shipping Weight</b>	Appr.214g	

\* When connected, the On/Off switch does not disconnect power to the unit; it only turns off or on the LCD and functions.

**Johnson Controls** is a global diversified technology and industrial leader serving customers in more than 150 countries. Our 168,000 employees create quality products, services and solutions to optimize energy and operational efficiencies of buildings; lead-acid automotive batteries and advanced batteries for hybrid and electric vehicles; and interior systems for automobiles. Our commitment to sustainability dates back to our roots in 1885, with the invention of the first electric room thermostat. Through our growth strategies and by increasing market share we are committed to delivering value to shareholders and making our customers successful. In 2013, Corporate Responsibility Magazine recognized Johnson Controls as the #14 company in its annual "100 Best Corporate Citizens" list. For additional information, please visit <http://www.johnsoncontrols.com>.

**Johnson Controls Building Efficiency** delivers products, services and solutions that increase energy efficiency and lower operating costs in buildings for more than one million customers. Operating from 500 branch offices in more than 150 countries, we are a leading provider of equipment, controls and services for heating, ventilating, air-conditioning, refrigeration and security systems. We have been involved in more than 500 renewable energy projects including solar, wind and geothermal technologies. Our solutions have reduced carbon dioxide emissions by 16 million metric tons and generated savings of \$7.5 billion since 2000. Many of the world's largest companies rely on us to manage 1.8 billion square feet of their commercial real estate.

**Australia**

Tel : +61 (2) 9805 8300  
Fax: +61 (2) 9889 3016

**China (Shanghai)**

Tel : +86 (21) 6276 6509  
Fax: +86 (21) 6277 3543

**Hong Kong**

Tel : +852 2590 0012  
Fax: +852 2516 5648

**India**

Tel : +91 (22) 3082 2200  
Fax: +91 (22) 3088 1592

**Indonesia**

Tel : +62 (21) 5366 8500  
Fax: +62 (21) 5366 8300

**Japan**

Tel : +81 (3) 5738 6100  
Fax: +81 (3) 5738 6298

**Korea**

Tel : +82 (2) 554 5935  
Fax: +82 (2) 554 5739

**Macau**

Tel : +853 2875 1820  
Fax: +853 2875 1825

**Malaysia**

Tel : +60 (3) 7628 4393  
Fax: +60 (3) 7620 0538

**New Zealand**

Tel : +64 (9) 444 6434  
Fax: +64 (9) 444 2092

**Singapore**

Tel : +65 6748 0202  
Fax: +65 6284 3017

**Thailand**

Tel : +66 (2) 717 1260-80  
Fax: +66 (2) 717 0861

**Asia Engineering Centre:** Wuxi, China

**Shanghai Distribution Center:** Shanghai, China

**Asia Centre of Excellence in Engineering (CoEE):** Beijing, China · Mumbai & Pune, India

**Manufacturing/Assembly:** Guangzhou & Wuxi, China · Pune, India

