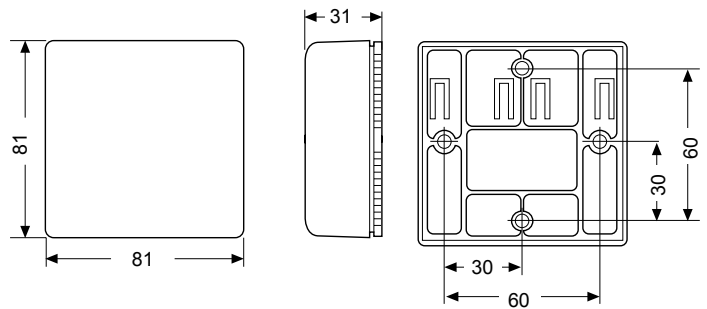


Wall Mount

The HT-9000 Series measures humidity over the entire range of 0 to 100% RH (non condensing) and has a wide operating temperature range. Its fast response, reliable long-term performance makes this transmitter well suited for refrigeration and HVAC installations. This range also includes models with an integrated temperature sensing element.

Features

- Power Supply 12...30 VDC / 24 VAC
- Humidity Range 0...100% (non condensing)
- Humidity Output 0...10 VDC
- Humidity Accuracy 4% RH from 10 to 90% RH
- Temperature Outputs 0...10 VDC, NTC K2, Pt 100, Pt 1000, A99
- Room enclosure 80 x 80 mm
- Protection Class: IP 30



Dimensions in mm

Ordering Codes	Humidity Range	Humidity Output	Temperature Range	Temperature Output	Supply Voltage
HT-9000-URW	0 to 100% RH	0...10 VDC	---	---	12 to 30 VDC 24 VAC ± 15 %
HT-9001-URW			0...40 °C	0...10 VDC	
HT-9003-URW				NTC K2	
HT-9005-URW				Pt100	
HT-9006-URW			0...60 °C	Pt1000	
HT-9009-URW				A99	